



TECH TIPS

Dixie Part Numbers: 405-10105 405-10201 MS-6003
TS-5096 TS-5096B

Applications: 1949 – 1955 Massey Hydraulic Table Lift
Various other implements

Condition: The technician may observe that the relays and wiring harnesses have deteriorated over time to the point that they no longer function nor can they be clearly identified making repairs difficult.

Cause: One cause for difficulty in repairing the wiring and relays is age and deterioration. Another reason is the number of ways which the relays have been connected over the years.

Correction: Attached are four typical wiring configurations to allow the motor to operate in either direction.

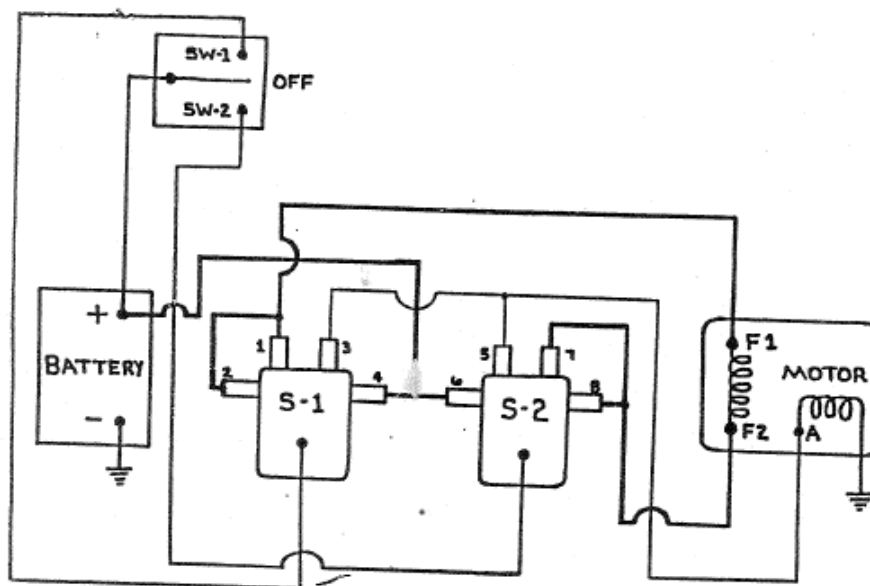


Diagram 1

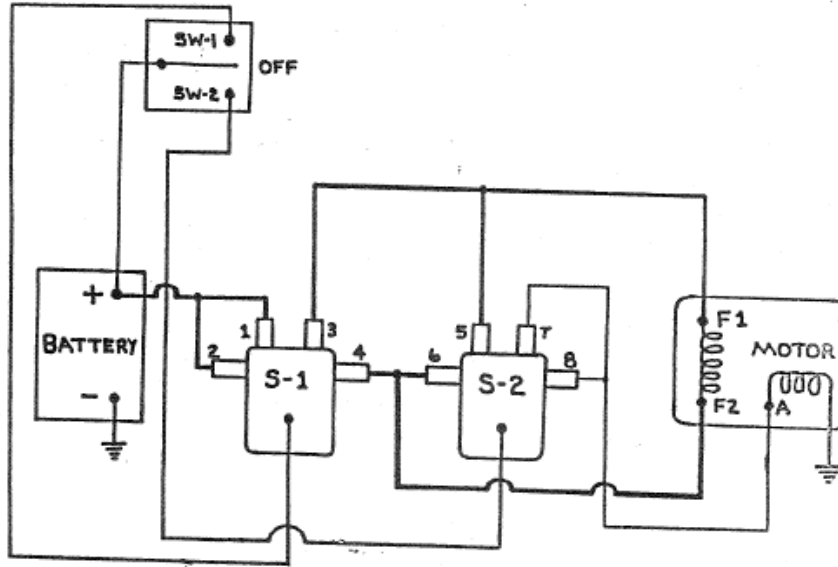


Diagram 2

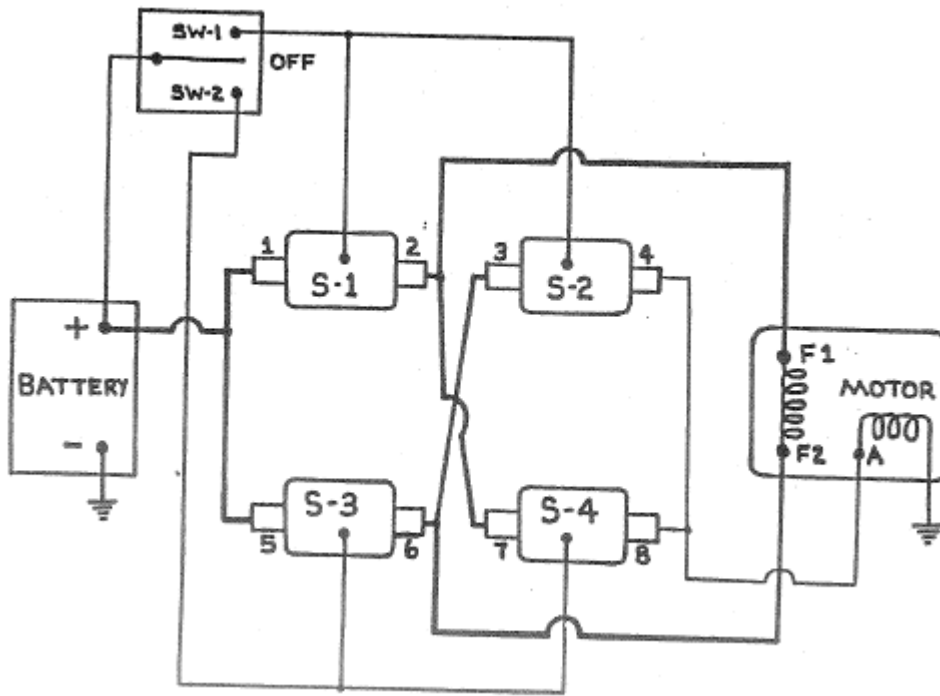


Diagram 3

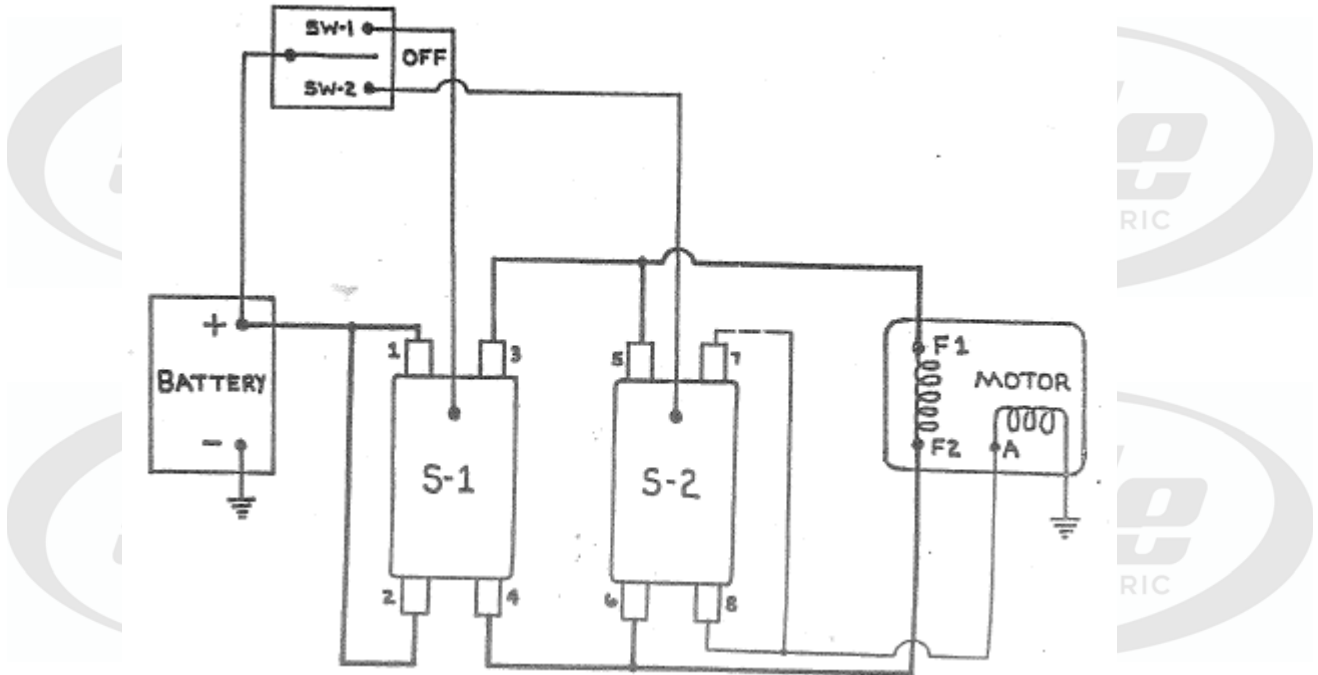


Diagram 4

