

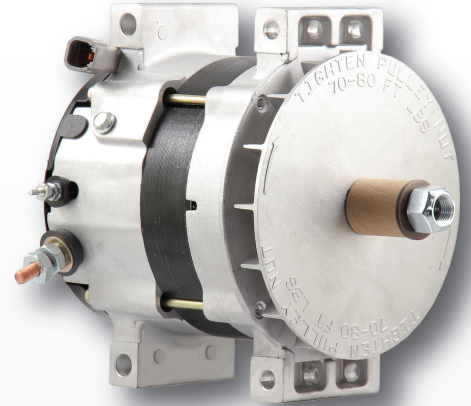
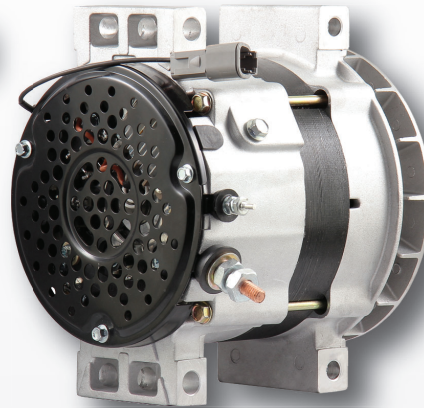
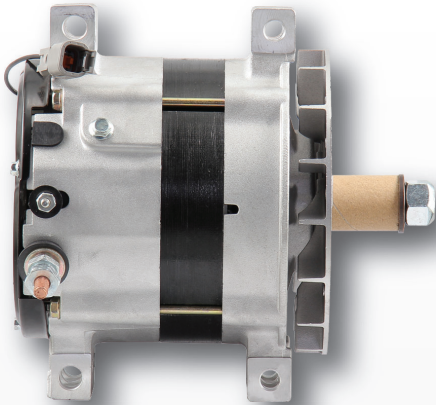


## New Alternators for MCI Coaches

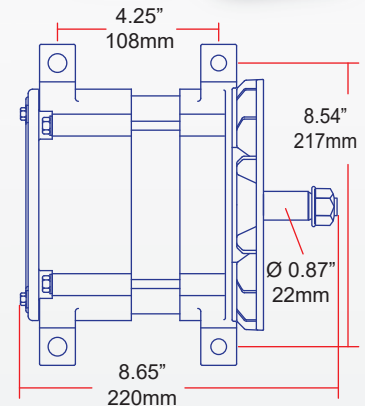
► Reduce your inventory - Enhance reliability - Replace with confidence ◀

### 24V-150Amps

P/N: 100-50247

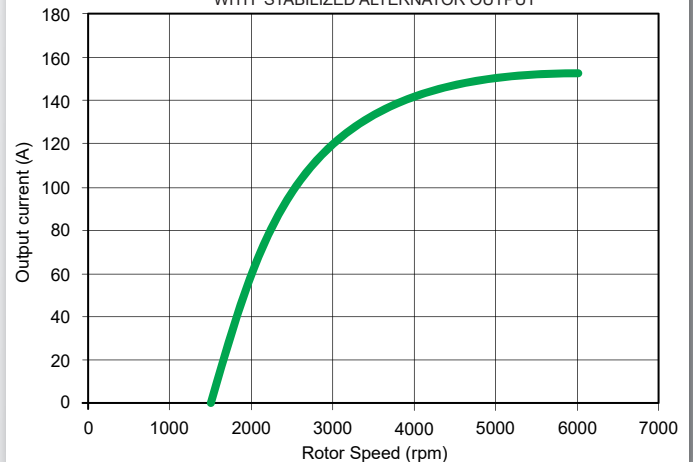


- Brushless construction.
- Negative ground.
- R Terminal: 1/4"
- B+ Terminal: 5/16"
- D+ / Indicator light lead and plug connector.
- 12 - 50 Amps high temperature, press fit "Avalanche" diodes
- Self-excited one wire system.
- Non-soldered connections.
- Operating temperatures:  
Low -40°C / -40°F — High 93°C / 200°F
- Speed limits: 10,000 RPM continuous
- Weight: 26.5 Lbs / 12.2 Kg



#### PERFORMANCE CURVE

TESTED AT 23°C / 73°F AMBIENT TEMPERATURE  
WITH STABILIZED ALTERNATOR OUTPUT



#### Replaces:

**Denso:** 021080-0690, 101210-9010, 101210-9011

**MCI:** 07-03-1303

**Prestolite / Leece Neville:** BLP3250H-MP, BLP3384H-MP

#### CANADA & EXPORT SALES

Dixie Electric  
517 Basaltic Road  
Concord, ON  
Canada L4K 4W8  
Tel: 905-879-0533 | 800-461-5799  
Fax: 905-879-0532  
E-Mail: sales@dixie-electric.com  
www.dixie-electric.com

#### U.S.A. SALES

Dixie Electric Inc.  
5600 Pioneer Creek Drive, Suite D  
Maple Plain, MN 55359  
U.S.A.  
Tel: 763-475-6629 | 800-478-0608  
Fax: 763-475-6635 | 800-392-8719  
E-Mail: mn.sales@dixie-electric.com  
www.dixie-electric.us