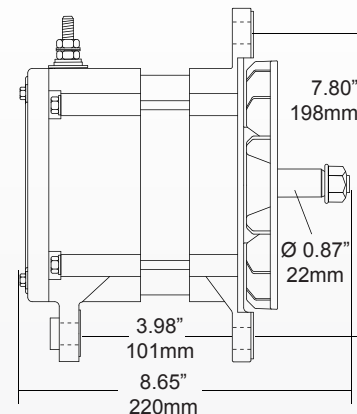
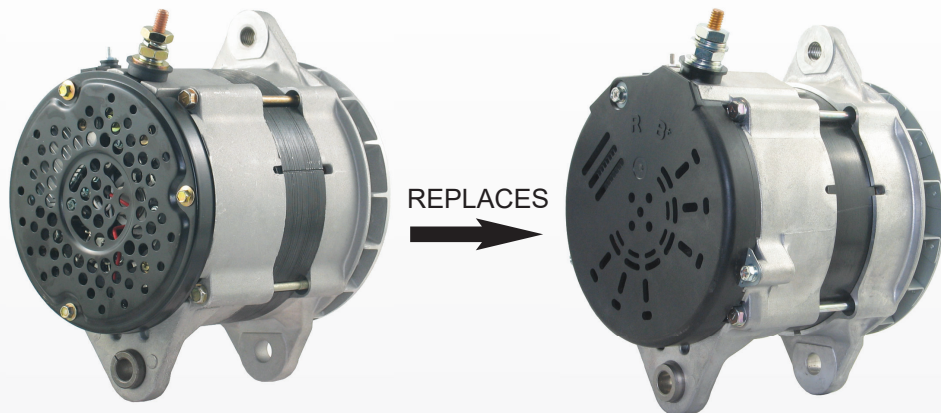




ALTERNATORS

"NEW REPLACEMENT" DENSO TYPE ALTERNATORS FOR CATERPILLAR

100-050-002



100-50240

24V, 150A, IR/EF, J180 MTG, BRUSHLESS

Replaces

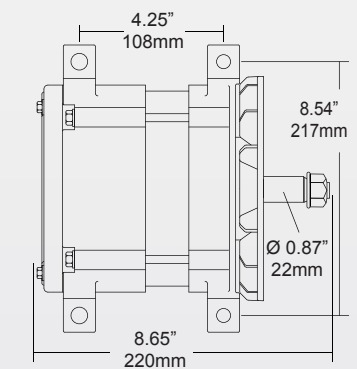
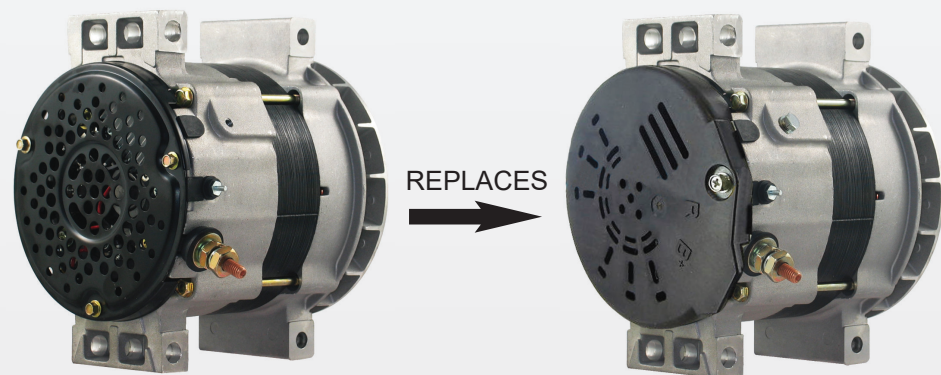
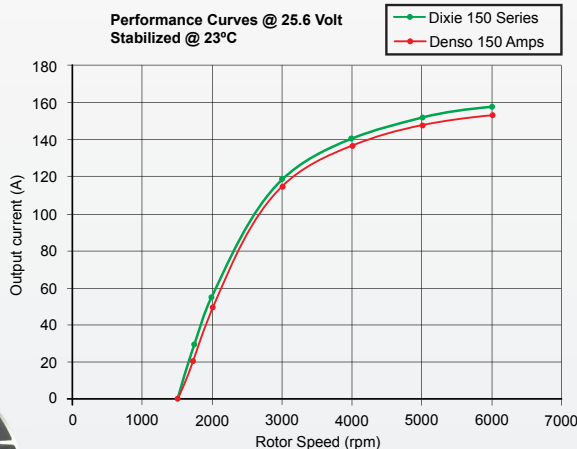
Caterpillar: 249-0313

Denso: 101210-9000

Application

Caterpillar Dozers, Motor Graders & Track Type Tractors

Performance Curves @ 25.6 Volt
Stabilized @ 23°C



100-50241

24V, 150A, IR/EF, PAD MTG, BRUSHLESS

Replaces

Caterpillar: 272-1889

Denso: 101210-9010

Application

Caterpillar Dozers, Motor Graders, Large Wheel Loaders, Track Type Tractors & Pipelayers

CANADA & EXPORT SALES

Dixie Electric
517 Basaltic Road
Concord, ON
Canada L4K 4W8
Tel: 905-879-0533 | 800-461-5799
Fax: 905-879-0532
E-Mail: sales@dixie-electric.com
www.dixie-electric.com



U.S.A. SALES

Dixie Electric Inc.
5600 Pioneer Creek Drive, Suite D
Maple Plain, MN 55359
U.S.A.

Tel: 763-475-6629 | 800-478-0608
Fax: 763-475-6635 | 800-392-8719
E-Mail: mn.sales@dixie-electric.com
www.dixie-electric.us