



ALTERNATORS

ALTERNATORS **VALIDATED** TO EXCEED 5,000 HOURS OF SERVICE

167-84
SERIES

Thermo King Transport Refrigeration & Auxiliary Power Units



FEATURES & BENEFITS

► **RELIABILITY:**

Alternators have been subjected to an extensive life cycle testing in a 105°C / 221°F chamber to ensure product reliability.

► **QUALITY:**

Manufactured to meet OE specifications and designed to deliver long life performance.

► **COMPATIBILITY:**

Direct fit replacement for early Bosch models and Thermo King units made in Czech Republic.

► **INTERCHANGEABILITY:**

Components are completely interchangeable with OE Thermo King alternators. Regulators are designed to replace all models, regardless of software version.

► **VERSATILITY:**

Supplied with an efficient bi-directional fan, designed to reduce on-shelf inventory and eliminate potential installation error, or the need for re-using the old fan.

► **WARRANTY:**

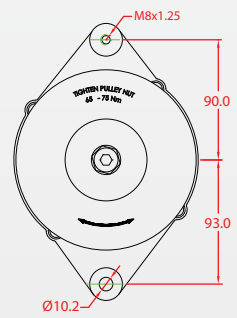
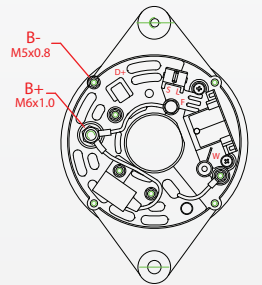
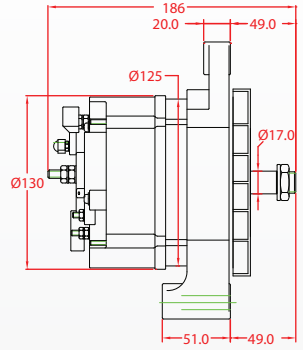
18 Months



ALTERNATORS

167-84 SERIES

dixie				THERMO KING		Application	QUICK FIND	
Amps	Part Number <small>Supplied with Bi-Directional Fan</small>	Voltage Regulator	Fan	Part Number <small>THERMO KING -Made in Czech Republic-</small>	Fan Rotation		TK	dixie
37	167-84104	3567-8411 BLACK	BI-DIRECTIONAL	41-6780	CW	TRUCK & TRAILER	41-6780	167-84104
				41-8461	CW		41-6781	167-84103
				45-2254	CW		41-6782	167-84106
				45-2498	CCW		41-8461	167-84104
				45-2589	No Fan		41-8463	167-84103
				45-2592	No Fan		41-8464	167-84103
				45-2777	No Fan		41-8465	167-84106
				845-2589	No Fan		41-9856	167-84105
				845-2681	No Fan		41-9925	167-84118
65	167-84103	3567-8411 BLACK	BI-DIRECTIONAL	41-6781	CW		42-367 *	167-84105
				41-8463	CW		45-2254	167-84104
				41-8464	CCW		45-2256	167-84103
				45-2256	CW		45-2257	167-84103
				45-2257	CCW		45-2258	167-84106
				45-2590	No Fan		45-2259	167-84106
				45-2593	No Fan		45-2498	167-84104
				45-2682	No Fan		45-2589	167-84104
				45-2776	No Fan		45-2590	167-84103
				45-9572	No Fan		45-2591	167-84106
120	167-84106	3567-8411 BLACK	BI-DIRECTIONAL	845-2590	No Fan		45-2592	167-84104
				845-2682	No Fan		45-2593	167-84103
				41-6782	CW		45-2594	167-84106
				41-8465	CW		45-2595	167-84105
				45-2258	CW		45-2596	167-84118
				45-2259	CCW		45-2597	167-84105
				45-2591	No Fan		45-2668	167-84105
				45-2594	No Fan		45-2671	167-84118
				45-2775	No Fan	45-2672	167-84105	
65	167-84105	3567-8412 ORANGE	BI-DIRECTIONAL	845-2591	No Fan	45-2682	167-84103	
				845-2683	No Fan	45-2775	167-84106	
				41-9856	CCW	45-2776	167-84103	
				42-367 *	CCW	45-2777	167-84104	
				45-2595	No Fan	45-9572	167-84103	
120	167-84118 Dual Output	3567-8412 ORANGE	BI-DIR.	45-2597	No Fan	845-2589	167-84104	
				45-2668	No Fan	845-2590	167-84103	
				45-2672	No Fan	845-2591	167-84106	
				41-9925	CCW	845-2596	167-84118	
				45-2596	No Fan	845-2681	167-84104	
				45-2671	No Fan	845-2682	167-84103	
				845-2596	No Fan	845-2683	167-84106	



*Black Voltage Regulator - Replaced by Orange VR 3567-8412 (14.5V)

CANADA & EXPORT SALES

Dixie Electric
517 Basaltic Road
Concord, ON
Canada L4K 4W8
Tel: 905-879-0533 | 800-461-5799
Fax: 905-879-0532
E-Mail: sales@dixie-electric.com
www.dixie-electric.com



U.S.A. SALES

Dixie Electric Inc.
5600 Pioneer Creek Drive, Suite D
Maple Plain, MN 55359
U.S.A.

Tel: 763-475-6629 | 800-478-0608
Fax: 763-475-6635 | 800-392-8719
E-Mail: mn.sales@dixie-electric.com
www.dixie-electric.us