



TECH TIPS

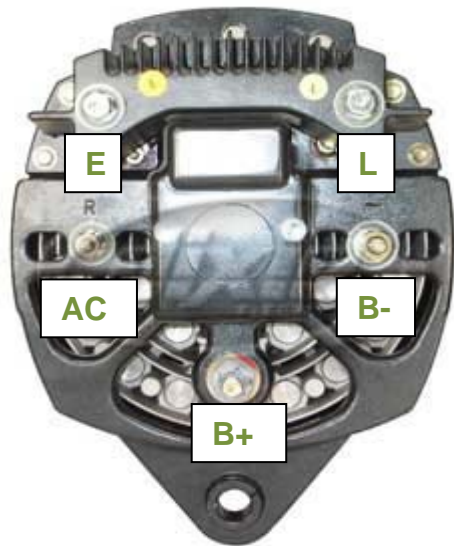
Dixie Part Numbers: 109-18207

Required Connections:

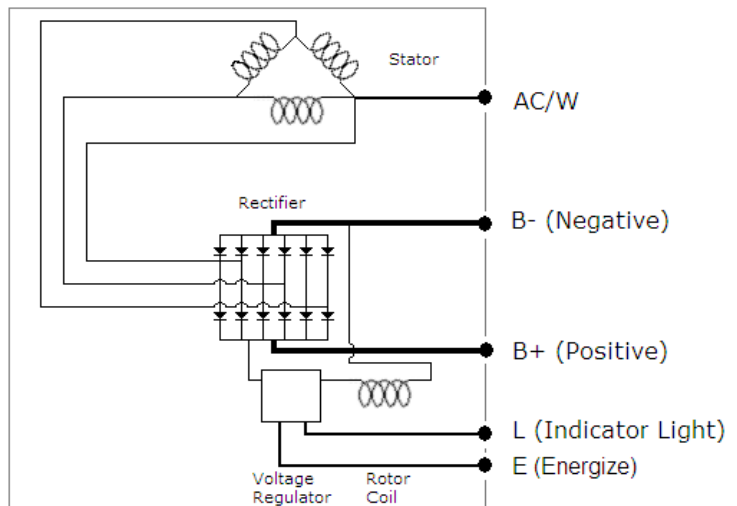
- B+** This terminal must be wired to the battery positive cable.
- B-** This terminal must be wired to the battery negative cable.
- L** This terminal must be connected to ignition through a light. This connection is required or the alternator will not energize.

Optional Connections:

- E** This is an optional energize terminal and if momentarily applied battery voltage when the alternator begins to rotate will lower the alternator turn on speed.
- R** This is an optional AC signal if a tachometer drive is required for the application.



Alternator Schematic



Notes:

The above alternator, in addition to the connections mentioned above requires a battery to be connected in the system or it will not charge. **It is not intended for a system with out a battery.**