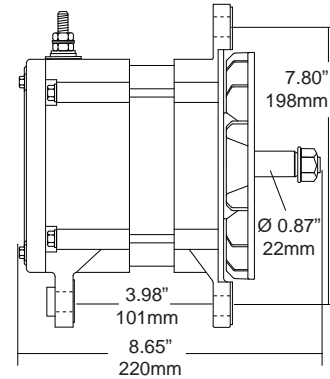




“NEW REPLACEMENT” HIGH OUTPUT BRUSHLESS ALTERNATORS



100-50104

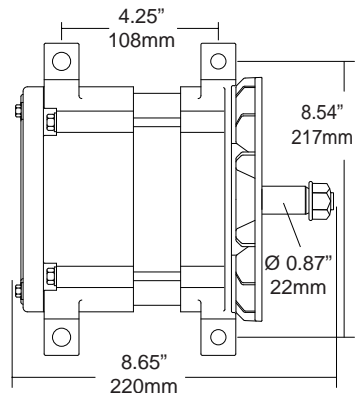
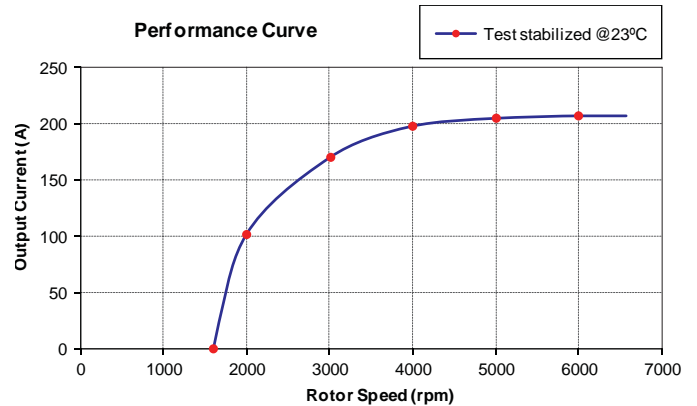
12V, 200A, IR/EF, J180 MTG

Application

Emergency Vehicles, Medium & HD Trucks, School Buses, Shuttle Buses

Engines:

Caterpillar, Cummins, Detroit, Mack, Mercedes Benz, Volvo



100-50124

12V, 200A, IR/EF, PAD MTG

Application

Emergency Vehicles, Medium & HD Trucks, School Buses, Shuttle Buses

Engines:

Caterpillar, Cummins, Detroit, Mack, Mercedes Benz, Volvo

03.26.2012 REV.07.31.2012

CANADA & EXPORT SALES

Dixie Electric Ltd. Tel.: 905-879-0533 800-461-5799
517 Basaltic Road Fax: 905-879-0532
Concord, ON. E-Mail: sales@dixie-electric.com
Canada L4K 4W8 Web Site: www.dixie-electric.com

U.S.A. SALES

Dixie Electric Inc. Tel.: 763-475-6629 800-478-0608
17100 Medina Rd, Suite 100 Fax: 763-475-6635 800-392-8719
Minneapolis, MN. E-Mail: mn.sales@dixie-electric.com
U.S.A. 55447-1249 Web Site: www.dixie-electric.com