

### INNOVATIVE FEATURES

• **HIGH EFFICIENCY:**

High efficiency means cooler internal alternators operating temperatures resulting in less engine horsepower required and maximizing fuel savings. Our unique air flow design offers a more efficient air flow through the windings which directly translates in maximum output and efficiencies.

• **TEMPERATURE RATING:**

All our alternators are validated to work and operate in today's ambient air temperatures of up to 125°C / 257°F

• **DEBRIS FREE & COOLER OPERATION:**

For high debris or high temperature environments, all DelStar series alternators are available with an optional Air Intake Cover by adding the letter "D" after the part No. The Ducted air allows filtered or fresh air flow to the unit which will improve output, efficiency and extends the alternator service life.

• **SOFT START DELAY (SSD)  
& LOAD RESPONSE CONTROL (LRC):**

Again "SETTING the STANDARD" with a newly introduced SMART REGULATOR where at engine start up, the regulator monitors the (low) engine RPM, it controls and gradually introduces alternator output to eliminate engine torque decrement due to a sudden and abrupt load transition at low RPM.

• **OVERVOLTAGE SHUT-DOWN (OSD):**

Designed to protect onboard electronics that are very sensitive to high voltage conditions, by shutting down the alternator output and restoring output only when the voltage is stabilized to or below the regulator voltage set point.

**AVAILABLE MODELS:**

- 12V-200, 210, 240, 275 Amps.
- 24V-125, 150, 160 Amps.

**APPLICATIONS:**

School & Shuttle Buses	Emergency Vehicles
Utility Vehicles	Marine & Mining
Agricultural & Industrial	Construction

*The DelStar Series alternators are an integral charging system of an innovative brushless design. The compact, heavy duty construction, provides increased service life expected to match the longer maintenance intervals of today's engines, while providing a performance level without parallel.*

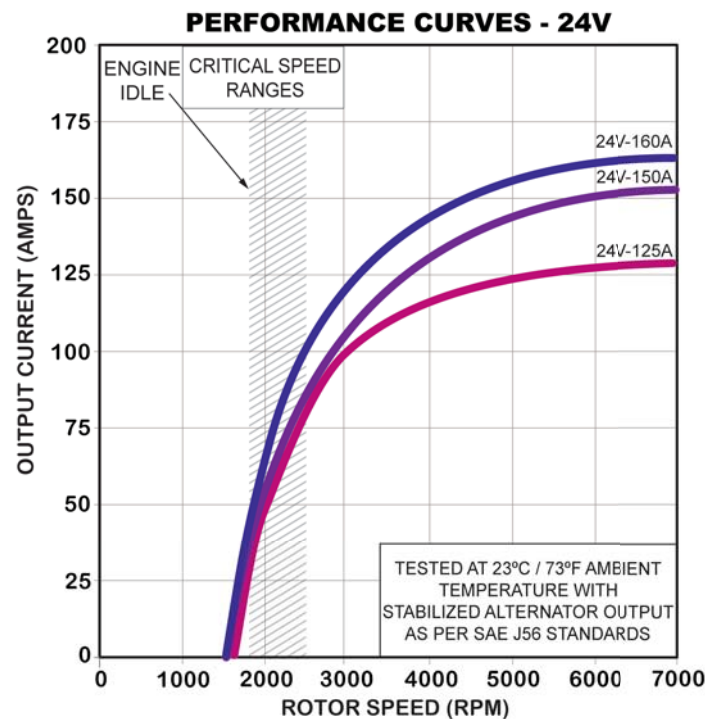
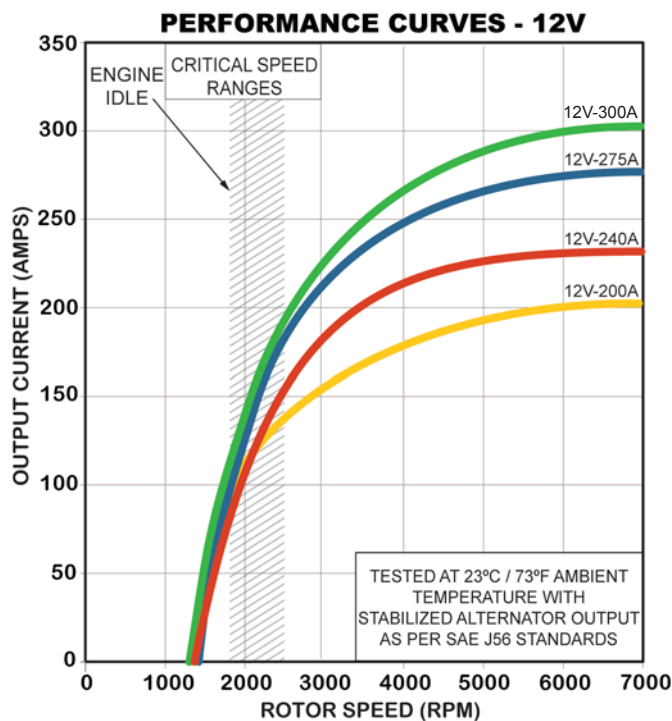


### SPECIFICATIONS



- SAE J180 4" Hinge & Pad mounts.
- Rotation: Bidirectional
- Internal Voltage Regulator
- Self-excited / One wire connection
- Relay/AC terminal
- Indicator light terminal
- Sense terminal (Remote)

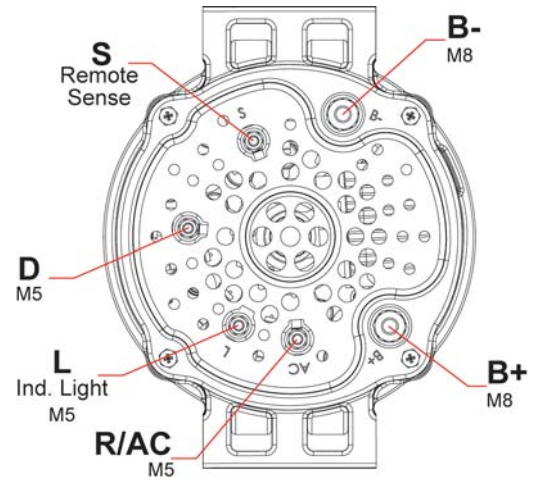
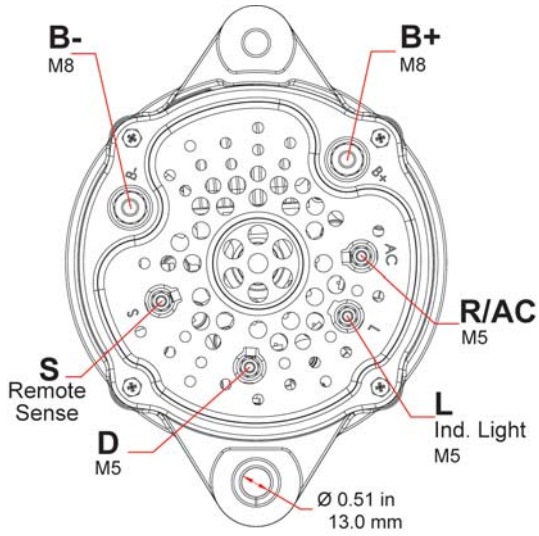
- Temperature limits:  
Low -40°C / -40°F  
High 110°C / 230°F  
High 125°C / 257°F (*with fresh air intake*)
- Speed limits: 8,000 RPM continuous  
9,000 RPM intermittent
- Weight: 28 Lbs. / 12.7 Kg.



### CRITICAL SPEED RANGES

14V	300A	275A	240A	200A	28V	160A	150A	125A
RPM	AMPS	AMPS	AMPS	AMPS	RPM	AMPS	AMPS	AMPS
1800	110	100	88	102	1800	70	36	36
2000	140	135	126	116	2000	85	55	48
3000	212	217	179	153	3000	124	106	99
4000	239	245	212	175	4000	137	129	112
5000	265	263	229	187	5000	151	146	121
6000	291	275	240	200	6000	160	150	128

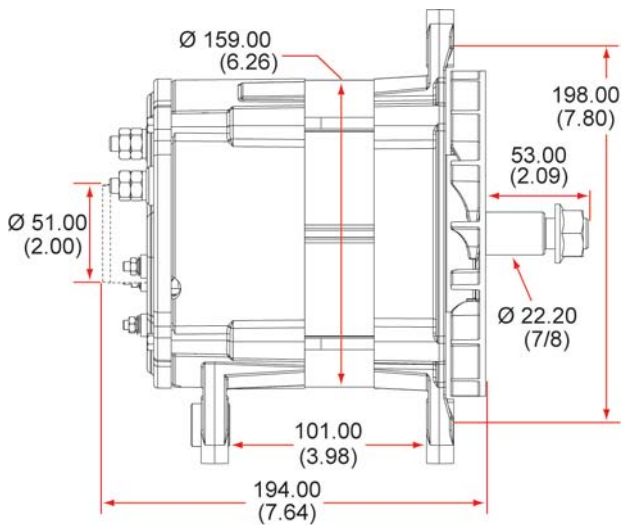
### CONNECTIONS



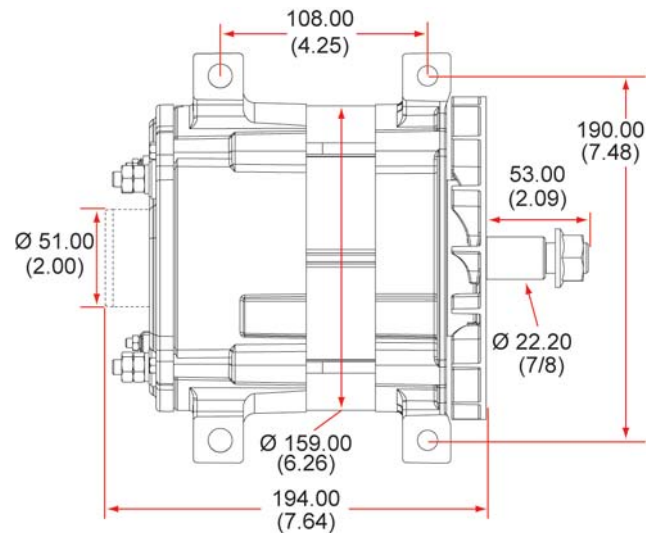
**IMPORTANT :** Ensure alternator cables are adequate to handle the alternator output current. Voltage drop between Alternator B+ (Output Terminal) and Battery B+ (Positive Terminal) should not exceed 0.5 Volts drop at full alternator output.

### OUTLINE

**J180 4" Hinge Mount**





**PAD Mount**



Dimensions are listed in mm over (in)



### COMPETITIVE INTERCHANGE

DELSTAR® Brushless			Delco Remy			Leece-Neville		Denso		
Mounting	Series 160 Part No.	Amps Output @ 2000 / 6000 rpm	Part No.	Series	Amps Output @ 2000 / 6000 rpm	Part No.	Amps Output @ 2000 / 6000 rpm	Part No.	Amps Output @ 2000 / 6000 rpm	
 <b>PAD</b>	100-16115	12V 116 / 200A	8600127	36SI	105 / 170A	8LHP2246VAH	95 / 160A			
			8600488							
			8600015	36SI	105 / 165A					8LHP2253V
			8600060							
			8600171							
	8600203	8LHP2276V	105 / 170A							
	100-16111	12V 135 / 275A				A0014911PA	140 / 245A			
						A0014913PA				
	100-16113	12V 126 / 240A		8600707	38SI	120 / 215A	A0014900JB	125 / 200A		
				8600338	40SI	130 / 240A	A0014940PA			
						A0014948PA				
						A0014951PAH				
100-16115	12V 116 / 200A					AVI160P2003	140 / 240A			
						AVI160P2009				
100-16215	24V 55 / 150A						101210-9010	63 / 150A		
100-16214	24V 55 / 150A		8600232	36SI	45 / 105A					
			8600398							
100-16215	24V 85 / 160A		8600110	36SI	45 / 95A	BLP3312	75 / 140A			
			8600369	36SI	45 / 105A	BLP3317A				
			8600470			BLP3358GH				
 <b>J180 4" Hinge</b>	100-16100	12V 116 / 200A	8600072	36SI	105 / 165A					
			8600082							
			8600197							
	100-16101	12V 135 / 275A		8600126	36SI	105 / 170A				
	100-16102	12V 140 / 300A		8600279	40SI	144 / 275A				
	100-16103	12V 126 / 240A		8600299	40SI	125 / 300A				
				8600339	40SI	130 / 240A				
	100-16204	24V 54 / 125A		8600333	33SI	35 / 100A				
19011165										
100-16205	24V 55 / 150A		19011153	33SI	20 / 100A					
								101210-9000	63 / 150A	

For additional cross reference information visit our website e-Cat: [www.dixie-electric.com](http://www.dixie-electric.com)

9800-DELA-160 141222 - Rev.: 151126

#### CANADA & EXPORT SALES

Dixie Electric Ltd.  
517 Basaltic Road  
Concord, ON.  
Canada L4K 4W8

Tel.: 905-879-0533 800-461-5799  
Fax: 905-879-0532  
E-Mail: [sales@dixie-electric.com](mailto:sales@dixie-electric.com)  
Web Site: [www.dixie-electric.com](http://www.dixie-electric.com)



#### U.S.A. SALES

Dixie Electric Inc.  
17100 Medina Rd, Suite 100  
Minneapolis, MN.  
U.S.A. 55447-1249

Tel.: 763-475-6629 800-478-0608  
Fax: 763-475-6635 800-392-8719  
E-Mail: [mn.sales@dixie-electric.com](mailto:mn.sales@dixie-electric.com)  
Web Site: [www.dixie-electric.com](http://www.dixie-electric.com)