



# ALTERNATORS



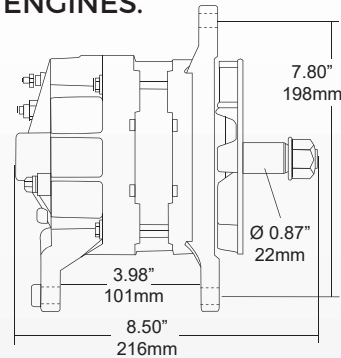
**101-22  
SERIES**

**ALTERNATORS VALIDATED TO EXCEED 5,000 HOURS OF SERVICE**

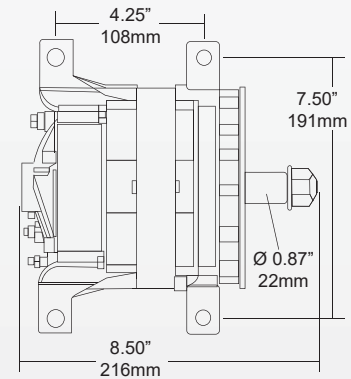
UPGRADED BRUSH TYPE, ONE WIRE CONNECTION, EXTERNAL FAN ALTERNATOR. RE-DESIGNED FOR THE HIGH TEMPERATURE ENVIROMENTS OF TODAY'S NEW EPA EMISSION COMPLIANT ENGINES.



**J180 MTG**  
**101-22106 12V-150A**  
**101-22201 24V-70A**



**PAD MTG**  
**101-22109 12V-150A**



## New added features:

- 6 new press fit "AVALANCHE" high temperature diodes
- Diode connections are welded, not soldered
- Rear and front (62mm) heavy duty bearings with high temperature grease and seals
- Universal 5/16" & 1/4" B+ terminal connections

## Re-designed to:

- Reduce Your Inventory
- Enhance Reliability
- Replace With Confidence

**SOLD AND SUPPORTED  
ACROSS NORTH AMERICA**

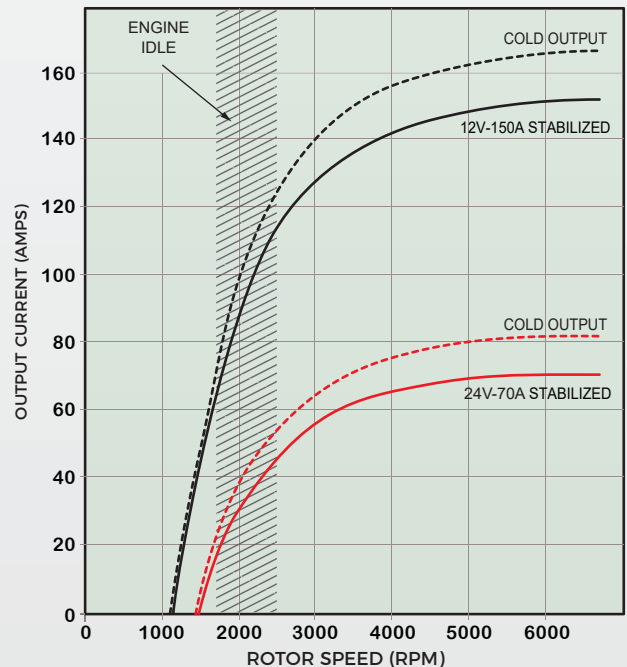


**Warranty:** (On-road applications)

**SPS New:** 12 Months - Unlimited Km/Miles

**Dixie Reman:** 12 Months - Unlimited Km/Miles

## AVERAGE OUTPUT RANGE



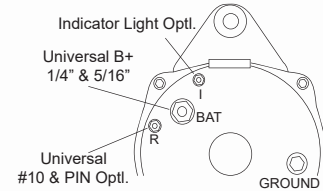
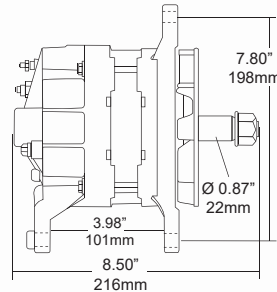


# ALTERNATORS



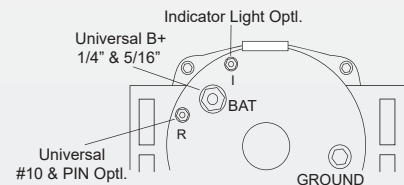
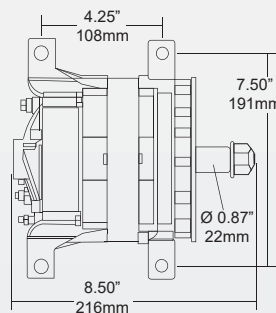
**101-22  
SERIES**

## J180 MTG



SPS UPGRADE	COMPETITORS REPLACEMENT CHART							
	DELCO 21SI, 22SI™ New Reman	AMPS	B+ Term	DIXIE Reman	Leece Neville	Lester (N=New)	Meritor	Wilson (N=New)
<b>101-22106</b> <i>Universal B+ 12V-150A</i>	19010181	10459013	100	1/4"	A-1341	110-444	7681, N	90-01-4058, N
	19020304	10459215			A-1492		8074, N	90-01-4296, N
	19010114	10459013		5/16"	A-1353		7662, N	90-01-4105, N
	19020300	10459188			A-1450		8071, N	90-01-4269, N
	19020188	10459037	130	1/4"	A-1358	8027, N	90-01-4093, N	
	19020305	10459204			A-1493	8073, N	90-01-4295, N	
	19010147	10459037		5/16"	A-1342	110-555	7681, N	90-01-4074, N
	19020302	10459189			A-1451	8072, N	90-01-4267, N	
	19020310	-	150	1/4"	A-1494	8076, N	90-01-4297, N	
	19020303	10459190		5/16"	A-1452	8078, N	90-01-4270, N	
<b>101-22201</b> <i>Universal B+ 24V-70A</i>	19010182	10461235	70	M6	A-1351	MDA3929	8003, N	90-01-4073, N
	19020307	10459306			A-1609		8367, N	90-01-4152, N
								90-01-4396, N
								90-01-4397, N

## PAD MTG



SPS UPGRADE	COMPETITORS REPLACEMENT CHART							
	DELCO 21SI, 22SI™ New Reman	AMPS	B+ Term	DIXIE Reman	Leece Neville	Lester (N=New)	Meritor	Wilson (N=New)
<b>101-22109</b> <i>Universal B+ 12V-150A</i>	19020387	10459318	100	5/16"	A-1619	110-444P	8360, N	90-01-4391, N
	19020388	10459320	130		A-1620		8361, N	90-01-4392, N
	19020889	10459321	150		A-1621		110-555P	8362, N

For additional cross reference information visit our website e-Cat: [www.dixie-electric.com](http://www.dixie-electric.com)

### CANADA & EXPORT SALES

Dixie Electric  
517 Basaltic Road  
Concord, ON  
Canada L4K 4W8  
Tel: 905-879-0533 | 800-461-5799  
Fax: 905-879-0532  
E-Mail: [sales@dixie-electric.com](mailto:sales@dixie-electric.com)  
[www.dixie-electric.com](http://www.dixie-electric.com)



### U.S.A. SALES

Dixie Electric Inc.  
5600 Pioneer Creek Drive, Suite D  
Maple Plain, MN 55359  
U.S.A.  
Tel: 763-475-6629 | 800-478-0608  
Fax: 763-475-6635 | 800-392-8719  
E-Mail: [mn.sales@dixie-electric.com](mailto:mn.sales@dixie-electric.com)  
[www.dixie-electric.us](http://www.dixie-electric.us)