



# ALTERNATORS



**ALTERNATORS VALIDATED TO EXCEED 5,000 HOURS OF SERVICE**

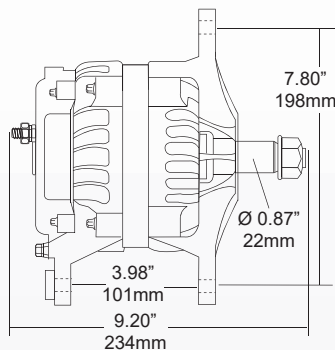
INTERNALLY VENTILATED, BRUSH TYPE ALTERNATOR  
 DESIGNED TO BETTER ENDURE THE HIGH TEMPERATURE  
 OF TODAY'S EMISSION COMPLIANT ENGINES.

**101-24  
 SERIES**



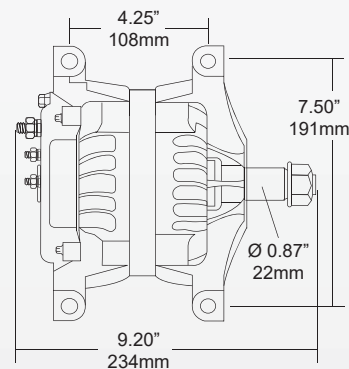
**J180 MTG**

**101-24108 12V-160A**  
**101-24201 24V-70A**



**PAD MTG**

**101-24109 12V-160A**



**Features:**

- 6 new press fit "AVALANCHE" high temperature diodes
- Rear and front (62mm) heavy duty bearings
- Field proven brush life to exceed 5,000 hours of service
- Designed to accommodate 5/16" & 1/4" B+ connections

This 12V 160Amps with a performance at engine idle of over 110 Amps, makes this HD Series an excellent upgrade from competitive alternators.

"Replace with confidence"

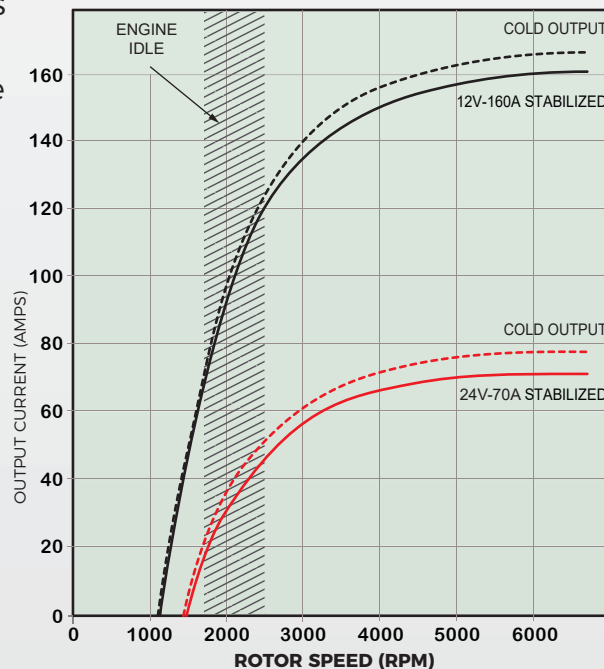


**Warranty:** (On-road applications)

**SPS New:** 12 Months - Unlimited Km/Miles

**Dixie Reman:** 12 Months - Unlimited Km/Miles

**AVERAGE OUTPUT RANGE**



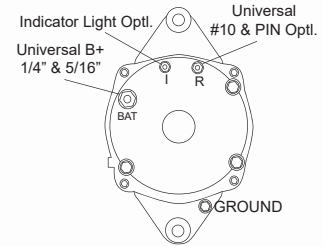
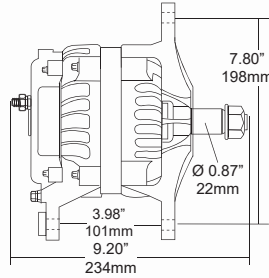


# ALTERNATORS



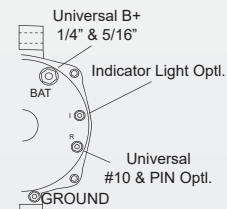
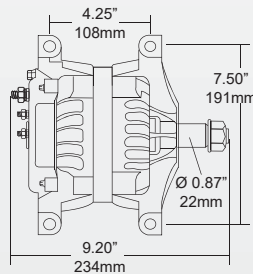
## 101-24 SERIES

J180 MTG



SPS <sup>III</sup> <b>UPGRADE</b> 101-24 Series	SPS <sup>III</sup> <b>NEW</b> 101-22 Series	COMPETITORS REPLACEMENT CHART										
		DELCO 21SI, 22SI, 24SI™ New	DELCO 21SI, 22SI, 24SI™ Reman	AMPS	B+ Term	DIXIE Reman	Bosch	Leece Neville	Lester (N=New)	Meritor	Wilson (N=New)	
<b>101-24108</b> Universal B+ 12V-160A	101-22106 Universal B+ 12V-150A	19010181	10459013	100	1/4"	A-1341	-	110-444	7681, N	ALT-1004	90-01-4058, N	
		19020304	10459215			A-1492					8074, N	90-01-4296, N
		19010114	10459013			A-1353					7662, N	90-01-4105, N
		19020300	10459188	130	5/16"	A-1450			8071, N		90-01-4269, N	
		19020188	10459037			A-1358			8027, N		90-01-4093, N	
		19020305	10459204	A-1493	8073, N	90-01-4295, N						
		19010147	10459037	150	5/16"	A-1342			7681, N		90-01-4074, N	
		19020302	10459189			A-1451			8072, N		90-01-4267, N	
		19020310	-	1/4"	A-1494	8076, N			90-01-4297, N			
		19020303	10459190	5/16"	A-1452	8078, N			90-01-4270, N			
		8600310	-	160	5/16"	A-1784	AL9960LH	110-555JHO 2800LC	8718, N	ALT-1241	90-01-4576, N	
<b>101-24201</b> Universal B+ 24V-70A	101-22201 Universal B+ 24V-70A	19010182	10461235	70	M6	A-1351	-	MDA3929	8003, N	ALT-1101	90-01-4073, N	
		19020307	10459306			A-1609			8367, N		90-01-4152, N	
						A-1701					90-01-4396, N	
		8600388	-	5/16"		-		8709, N	-		90-01-4397, N	
											90-01-4466, N	

PAD MTG



SPS <sup>III</sup> <b>UPGRADE</b> 101-24 Series	SPS <sup>III</sup> <b>NEW</b> 101-22 Series	COMPETITORS REPLACEMENT CHART									
		DELCO 21SI, 22SI, 24SI™ New	DELCO 21SI, 22SI, 24SI™ Reman	AMPS	B+ Term	DIXIE Reman	Bosch	Leece Neville	Lester (N=New)	Meritor	Wilson (N=New)
<b>101-24109</b> Universal B+ 12V-160A	101-22109 Universal B+ 12V-150A	19020387	10459318	100	5/16"	A-1619	-	110-444P	8360, N	ALT-1003	90-01-4391, N
		19020388	10459320	130		A-1620			8361, N		90-01-4392, N
		19020889	10459321	150		A-1621			8362, N		90-01-4393, N
		8600889	-	160		A-1785			AL9961LH		110-555PHO

For additional cross reference information visit our website e-Cat: [www.dixie-electric.com](http://www.dixie-electric.com)

### CANADA & EXPORT SALES

Dixie Electric  
517 Basaltic Road  
Concord, ON  
Canada L4K 4W8  
Tel: 905-879-0533 | 800-461-5799  
Fax: 905-879-0532  
E-Mail: [sales@dixie-electric.com](mailto:sales@dixie-electric.com)  
[www.dixie-electric.com](http://www.dixie-electric.com)



### U.S.A. SALES

Dixie Electric Inc.  
5600 Pioneer Creek Drive, Suite D  
Maple Plain, MN 55359  
U.S.A.

Tel: 763-475-6629 | 800-478-0608  
Fax: 763-475-6635 | 800-392-8719  
E-Mail: [mn.sales@dixie-electric.com](mailto:mn.sales@dixie-electric.com)  
[www.dixie-electric.us](http://www.dixie-electric.us)