

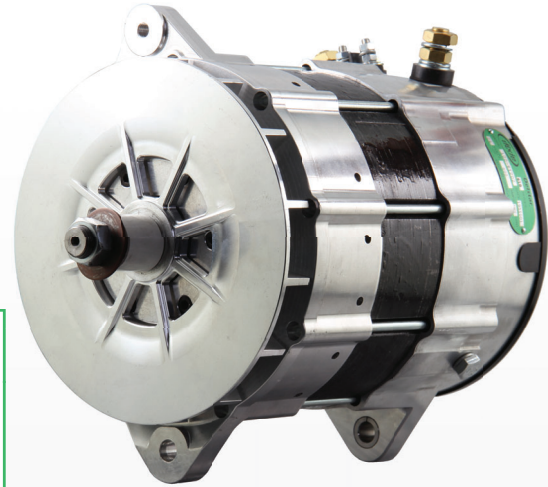
# HD BRUSHLESS

## 610 SERIES

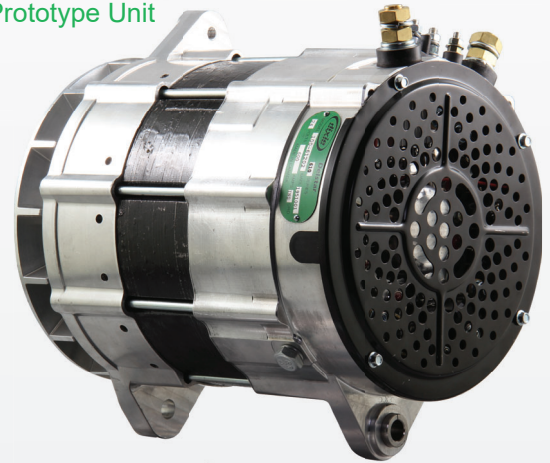
### 100-61202 24 Volts 600 Amps

#### PRODUCT SPECIFICATIONS

<b>Part number</b>	100-61202
<b>System Voltage</b>	24V
<b>Rated Output</b>	600A
<b>Output @ 2000 rpm</b>	335A
<b>Ground</b>	Insulated
<b>Noise Suppression</b>	Built-in (SAE-J1908 Standard)
<b>Mounting</b>	Custom Flange (6.9" hinge mount)
<b>Rotation</b>	Bidirectional
<b>Temperature limits:</b>	
Low	-40°C / -40°F
High	110°C / 230°F
<b>Speed limits:</b>	
	6500 RPM continuous
	8000 RPM intermittent
<b>Coating</b>	Corrosion-Resistant E-Coated
<b>Weight</b>	92.5 Lbs / 42.0 Kg.
<b>Regulator</b>	Integral
<b>Excitation</b>	Self-excited (@ < 1600 rpm)
<b>Indicator Light</b>	Yes
<b>Remote Sense</b>	Yes
<b>Soft Start Delay (SSD)</b>	Yes
<b>Field Short Circuit Protection</b>	Yes
<b>Load Dump Protection</b>	Yes
<b>Overvoltage Shut-Down (OSD)</b>	Yes



Prototype Unit



#### RECOMMENDED FOR:

- Transit Bus
- Motor Coach
- Marine
- Mining
- Industrial

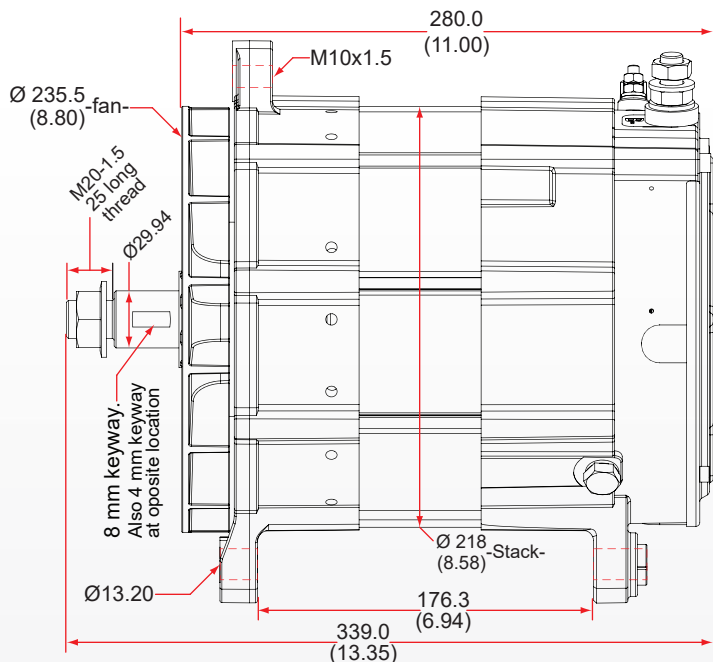
#### NOTE:

This DelStar 100-61202 alternator, meets the marine requirements for Ignition Protection on gas or diesel engines of ISO 8846, USCG, stated in Title 33 CFR 183.410, SAE J1171 and International CE Standards.

# ALTERNATORS

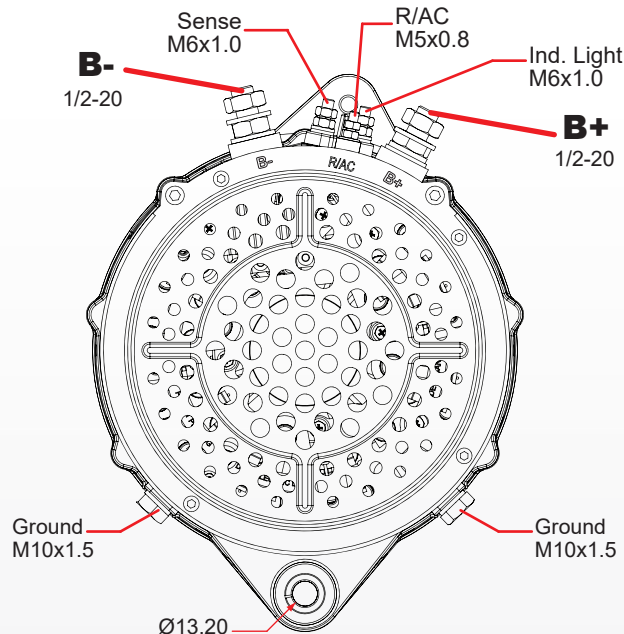
# 610 SERIES

## OUTLINE



Dimensions are listed in mm over (in)

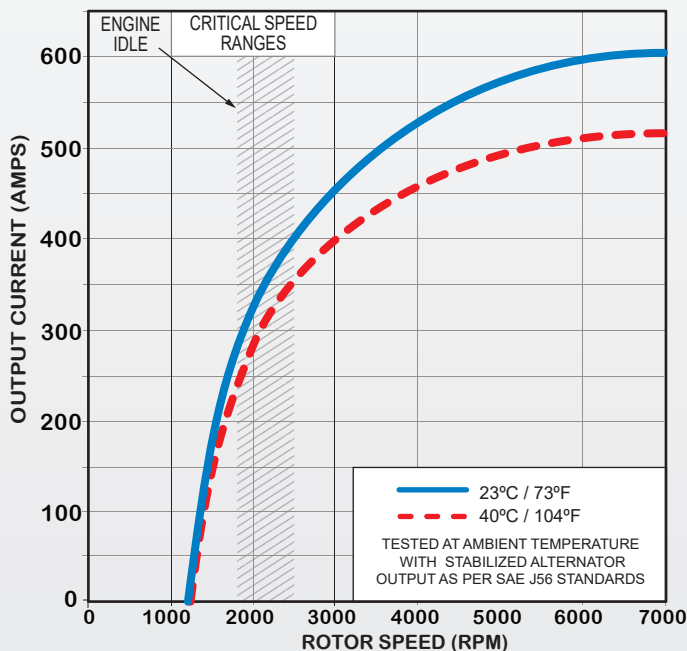
## CONNECTIONS



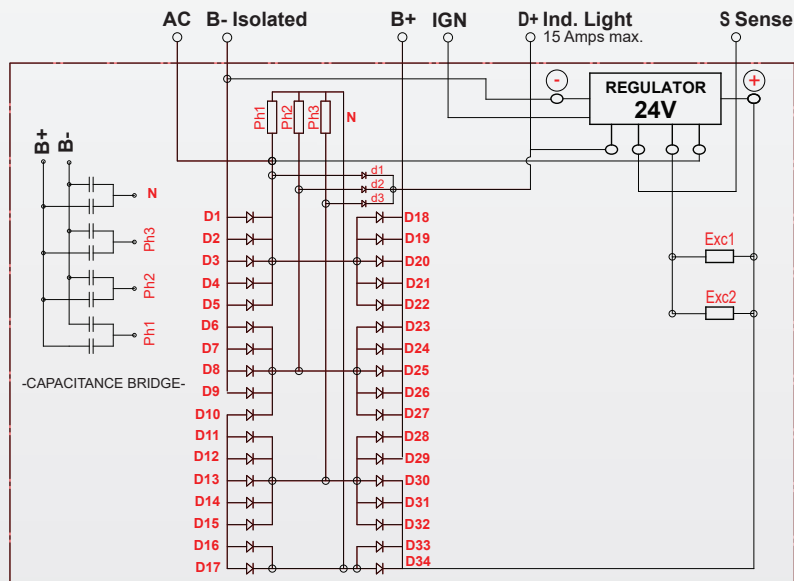
**100-61202**

24 Volts, 600 Amps

## PERFORMANCE CURVES



## ELECTRICAL SCHEMATIC



### CANADA & EXPORT SALES

Dixie Electric  
517 Basaltic Road  
Concord, ON  
Canada L4K 4W8

Tel: 905-879-0533 | 800-461-5799  
Fax: 905-879-0532  
E-Mail: sales@dixie-electric.com  
www.dixie-electric.com



### U.S.A. SALES

Dixie Electric Inc.  
5600 Pioneer Creek Drive, Suite D  
Maple Plain, MN 55359  
U.S.A.

Tel: 763-475-6629 | 800-478-0608  
Fax: 763-475-6635 | 800-392-8719  
E-Mail: mn.sales@dixie-electric.com  
www.dixie-electric.us